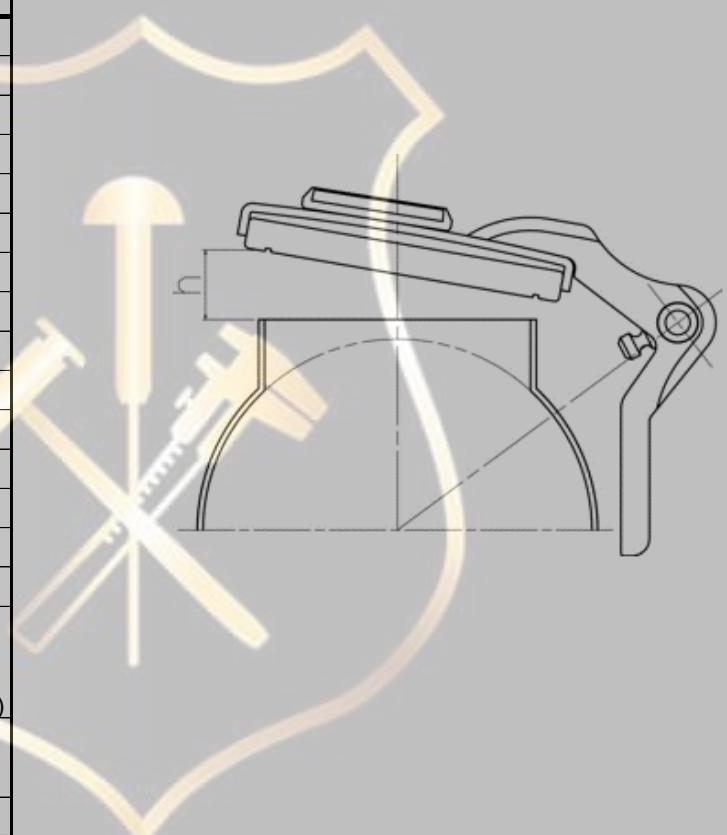


* El valor numérico es un punto de referencia de los instrumentos de Yamaha.
Es posible que no se corresponde por el estado de instrumentos o el gusto de músicos.

■Pad opening (Vent height) (mm)

| Key name | YSS | YAS | YTS | YBS |
|----------------|------------------------------|-------|-------|----------------|
| | Student / Intermediate model | | | |
| Low B | 7.5 | 9.0 | 10.0 | 13.2 |
| Low C# | 7.2 | 8.5 | 9.0 | 10.0 |
| Low C | 7.2 | 10.0 | 10.6 | 12.0 |
| E \flat | 4.5 | 8.0 | 7.8 | 9.5 |
| F | 6.3 | 8.4 | 8.4 | 9.7 |
| G | 6.3 | 7.5 | 7.0 | 8.7 |
| A | 4.9 | 6.1 | 5.5 | 8.2 |
| High E | 3.0 | 4.0 | 4.5 | 6.0 |
| Side F# | 5.6 | 6.0 | 5.5 | 6.5 |
| Side B \flat | 3.1 | 4.6 | 5.5 | 6.5 |
| Side C | 3.1 | 4.7 | 5.5 | 6.5 |
| High D | 3.0 | 4.0 | 4.5 | 6.2 |
| High E \flat | 3.0 | 4.0 | 4.5 | 6.2 |
| High F | 3.0 | 4.0 | 4.5 | 6.2 |
| Front F | 1.8 | 2.0 | 3.0 | 5.5 |
| High F# | 3.0 | 4.0 | 4.5 | 5.5 |
| | | -(26) | -(26) | - |
| | | | | (5X/4X/3X) |
| Lower Oct Key | 3.0 | 2.5 | 2.5 | a=4.1 b=7.3 |
| Upper Oct Key | 3.0 | 3.0 | 3.0 | 3.0 |



■Spring tension(g)

| Key name | Connection | Spring tension (g) | | | |
|----------------|---------------|----------------------|-----|-----|-----|
| | | SS | AS | TS | BS |
| Low C# | | 35 | | | |
| B \flat | | 30 | 35 | | 45 |
| C | | 20 | | | |
| F# | | 45 | 45 | | 100 |
| G# | | 25 | 35 | | 45 |
| D | F-F# | | | | 200 |
| D | F# | | | | - |
| E | F# | 90 | 110 | | 160 |
| F | F# | | | | |
| G | | 80 | 100 | | 140 |
| A | B \flat -C | 100 | 120 | | 180 |
| B | C | 70 | 80 | | 130 |
| Low C | | | | | 240 |
| E \flat | | 140 | 190 | | |
| Side F# | | | | | 190 |
| High F# | | | | | |
| High G | | 120 | | | |
| Side B \flat | | | | | |
| Side C | | | | | |
| High E | | 140 | 190 | | |
| High D | | | | | |
| High E \flat | | | | | |
| High F | | | | | |
| Low A | | | | | 200 |
| Low B \flat | Low B | 80 | 90 | | 110 |
| Low B | | | | | |
| Low C# | Low C# | 100 | | | |
| G# | G# | 110 | | 110 | |
| Upper Oct Key | | | 100 | | - |
| Oct lever | Upper Oct Key | | 200 | | |

LUTHIERS DO BRASIL